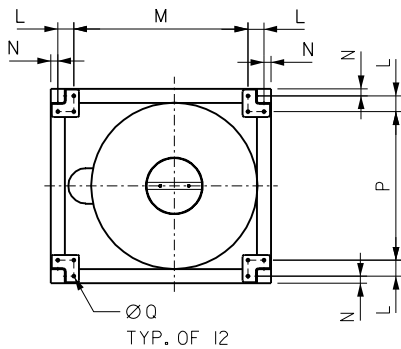
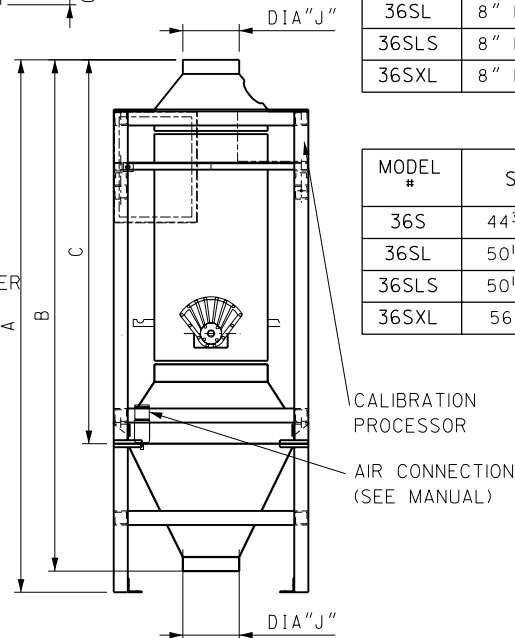
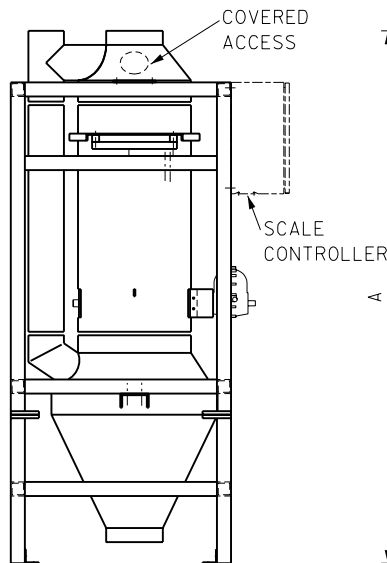


MODEL #	A	B	C	D	E	F	G	H
36S	49 1/2"	47 3/4"	N/A	10 1/2"	12 1/2"	9 1/2"	25"	25"
36SL	75 1/4"	72 1/4"	N/A	13 5/8"	13 3/4"	12 1/2"	27 1/2"	31 1/8"
36SLS	59"	56"	N/A	13 5/8"	13 3/4"	12 1/2"	27 1/2"	31 1/8"
36SXL	102 3/4"	97 3/4"	68 1/4"	15 5/8"	15"	16"	30"	36 5/8"

MODEL #	J	K	L	M	N	P	Q
36S	6" DIA	4" DIA	2 1/4"	18 1/2"	1"	18 1/2"	3/8" DIA
36SL	8" DIA	5" DIA	2 1/4"	24 5/8"	1"	21"	3/8" DIA
36SLS	8" DIA	5" DIA	2 1/4"	24 5/8"	1"	21"	3/8" DIA
36SXL	8" DIA	5" DIA	2 1/4"	30 1/8"	1"	23 1/2"	3/8" DIA

MODEL #	S	T	SHIPPING WEIGHT (LBS/KG)
36S	44 3/8"	49"	455/206
36SL	50 1/2"	51 1/2"	590/268
36SLS	50 1/2"	51 1/2"	581/264
36SXL	56"	54"	840/380



C 1/99 REMOVED 36ST, 36SXL		DESCRIPTION
B 09/97 NEW MODELS 36SLS, 36ST, 36SXL ADDED		
REV.	DATE	
PLEASE: DO NOT MANUALLY ALTER THIS CAD DRAWING. DO NOT SCALE DRAWING.		 TECHNOLOGY THAT'S BEEN PUT THROUGH THE MILL
TOLERANCES		
IMPERIAL	METRIC	TITLE: 36 MODELS
FRACTIONS ±1/16	MILLIMETERS .x ± 0.5	
DECIMALS .xx ± 0.05 xxx ± 0.005	.xx ± 0.05 .xx ± 0.05	
DRAWN:	K.P.	DATE: 23/05/97
APPVD:		DRAWING NO.:
		36-SC